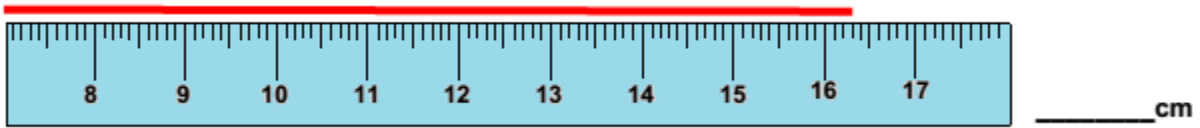


Topic: Measurement

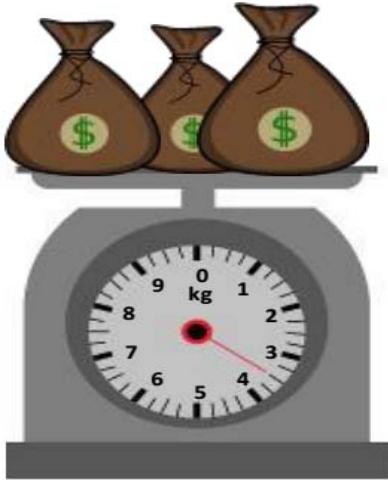
Object: Explore measurement concepts such as perimeter, area, volume, and the use of measurement tools like rulers, protractors, and thermometers.

* Write the measurement of each of the following:

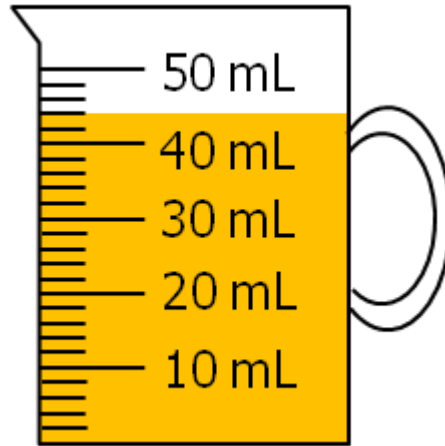
1)



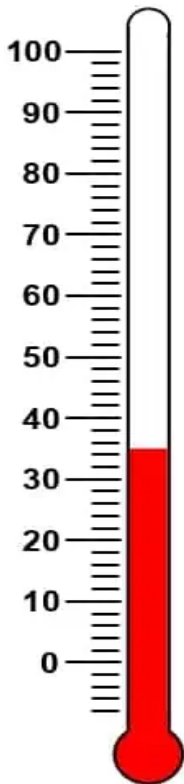
2)



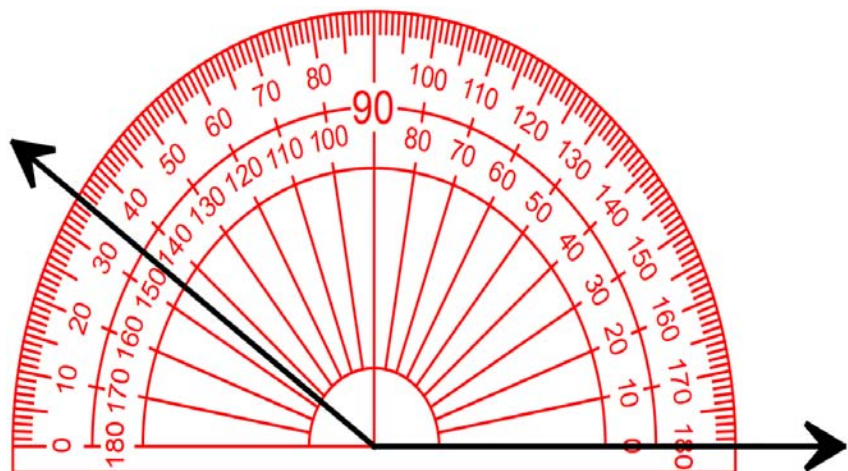
3)



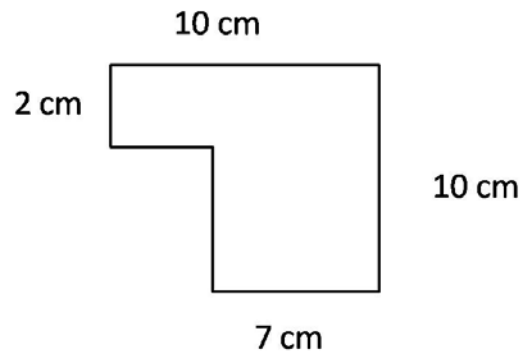
4)



5)



6) Find the area and the perimeter of the shown figure.



* complete the following:

7) $9,250 \text{ meters} = \dots \text{ km} + \dots \text{ m}$

8) $70 \text{ meters} = \dots \text{ decimeter}$

9) $890 \text{ centimeter} = \dots \text{ Meters} = \dots \text{ Kilometers}$

10) $2.5 \text{ ton} = \dots \text{ kilograms}$

11) $3200 \text{ grams} = \dots \text{ kilograms}$

12) $500 \text{ kilograms} - 500 \text{ grams} = \dots \text{ tons}$

13) $5\text{L} - 2570 \text{ mL} = \dots \text{ liter}$

14) $6000 \text{ mL} = \dots \text{ liter}$

15) $9.50 \text{ L} = \dots \text{ liter} + \dots \text{ milliliters.}$

