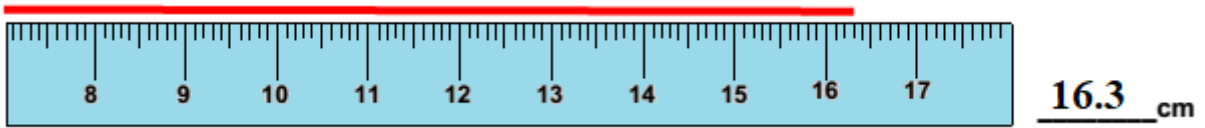


Topic: Measurement

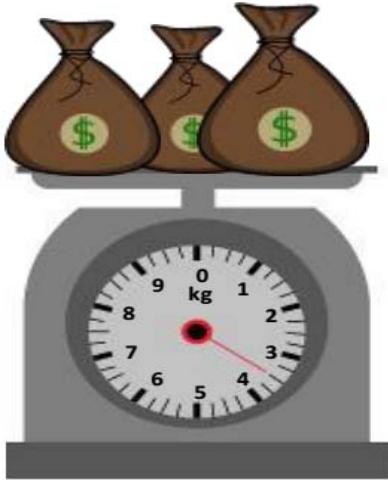
Object: Explore measurement concepts such as perimeter, area, volume, and the use of measurement tools like rulers, protractors, and thermometers.

* Write the measurement of each of the following:

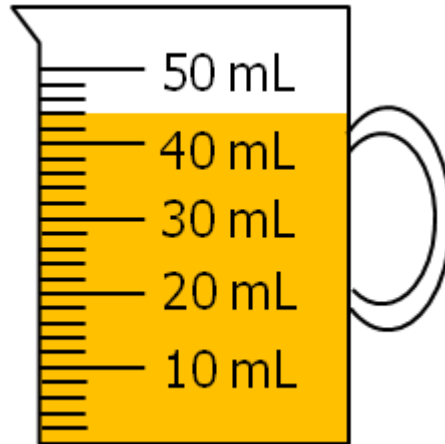
1)



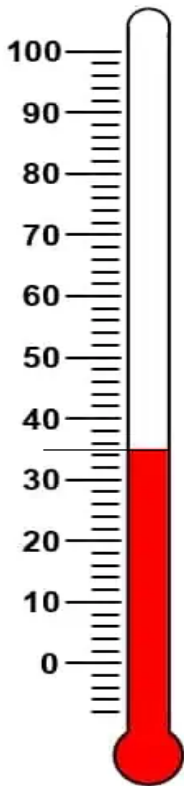
2) **3.5 kg**



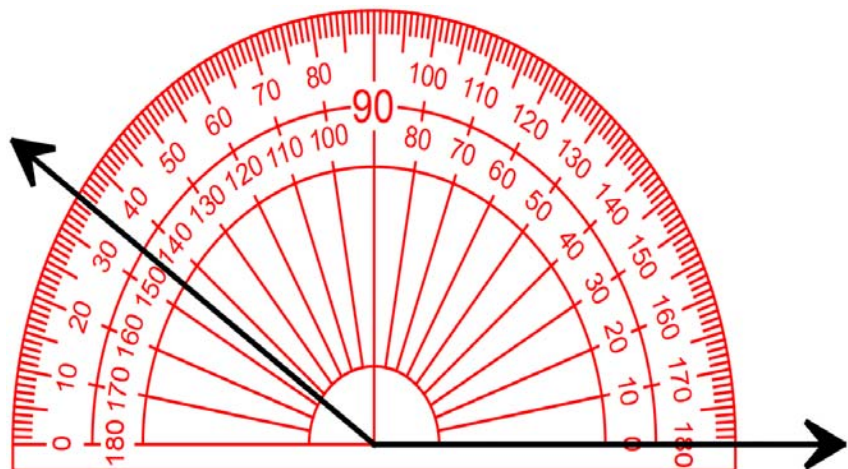
3) **44 mL**



4) **35 F° or C°**

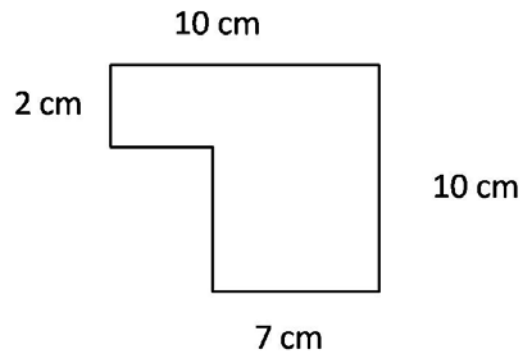


5) **145°**



6) Find the area and the perimeter of the shown figure.

$$\text{Area} = 76 \text{ cm}^2$$
$$\text{Perimeter} = 40 \text{ cm}$$



* complete the following:

7) 9,250 meters = 9 km + 250m

8) 70 meters = 700 decimeter

9) 890 centimeter = 8.9 Meters = 0.0089 Kilometers

10) 2.5 ton = 2500 kilograms

11) 3200 grams = 3.2 kilograms

12) 500 kilograms – 500 grams = 0.4995 tons

13) 5L – 2570 mL = 2.43 liter

14) 6000 mL = 6 liter

15) 9.50 L = 9 liter + 500 milliliters.